

CLIENT REVISED

CLIENT REVISIONS 06.18.2019

AGENCY ISSUE/REVISED

PLAN CHECK REVISION 06.18.2019

ISSUED FOR PERMIT 12.19.2018

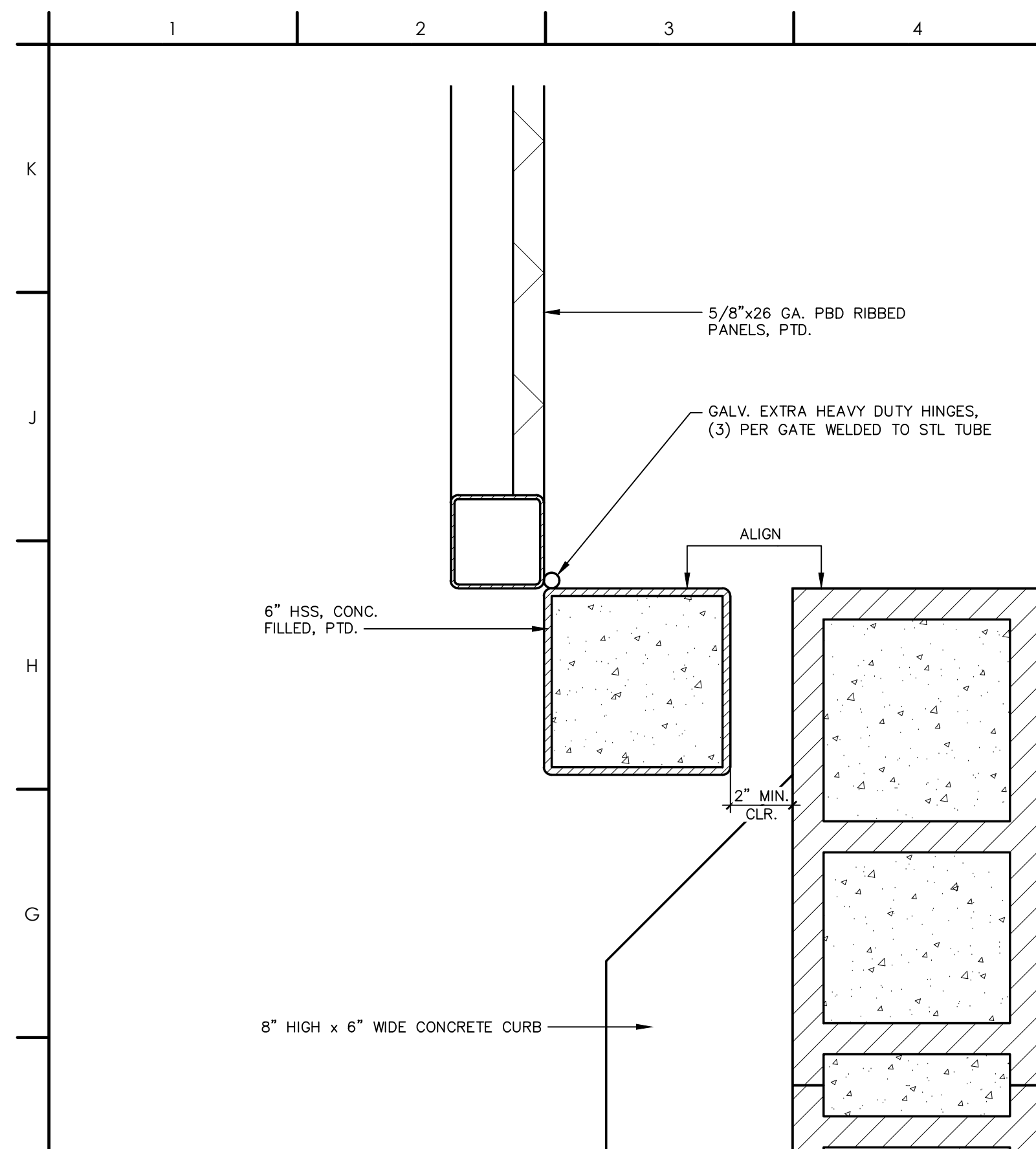
ISSUED / REVISED

Project Number 222310634

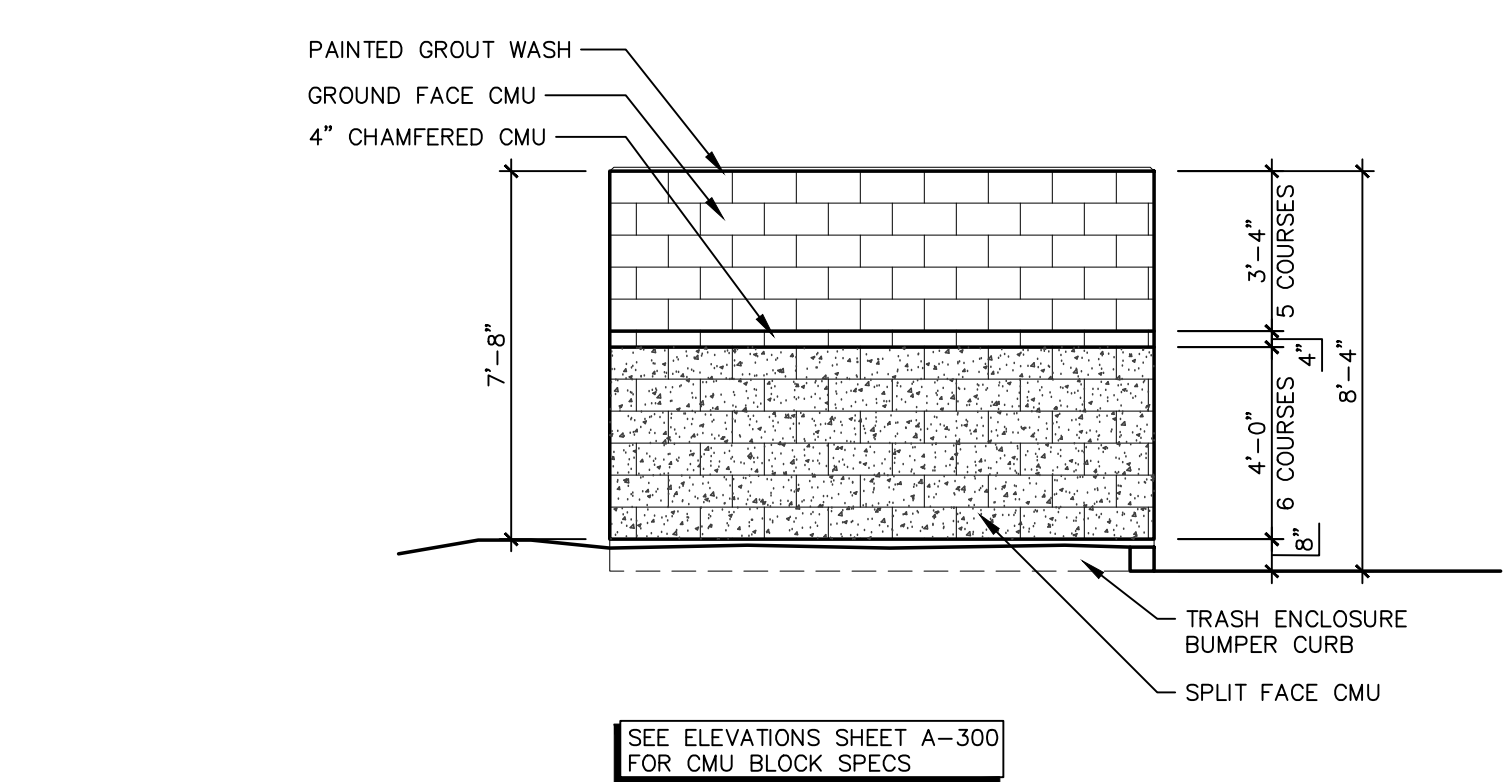
Drawn By RAM

Checked By GMS

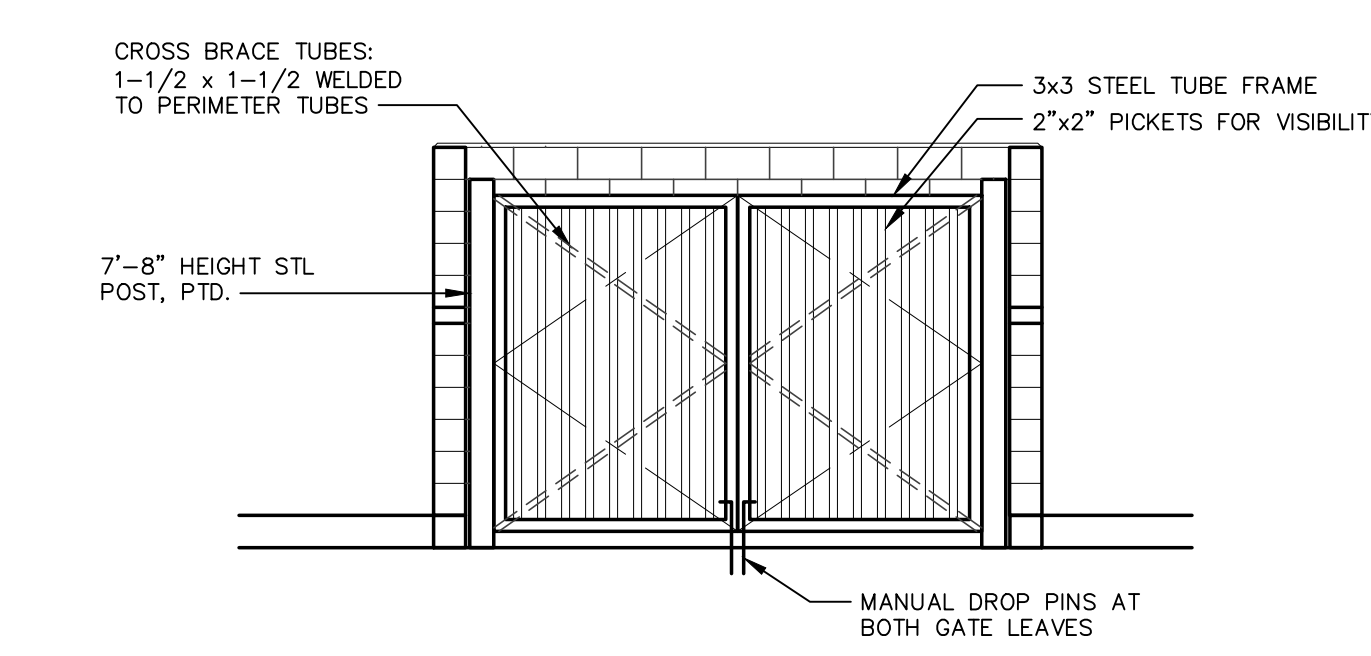
A002
 TRASH ENCLOSURE DETAILS



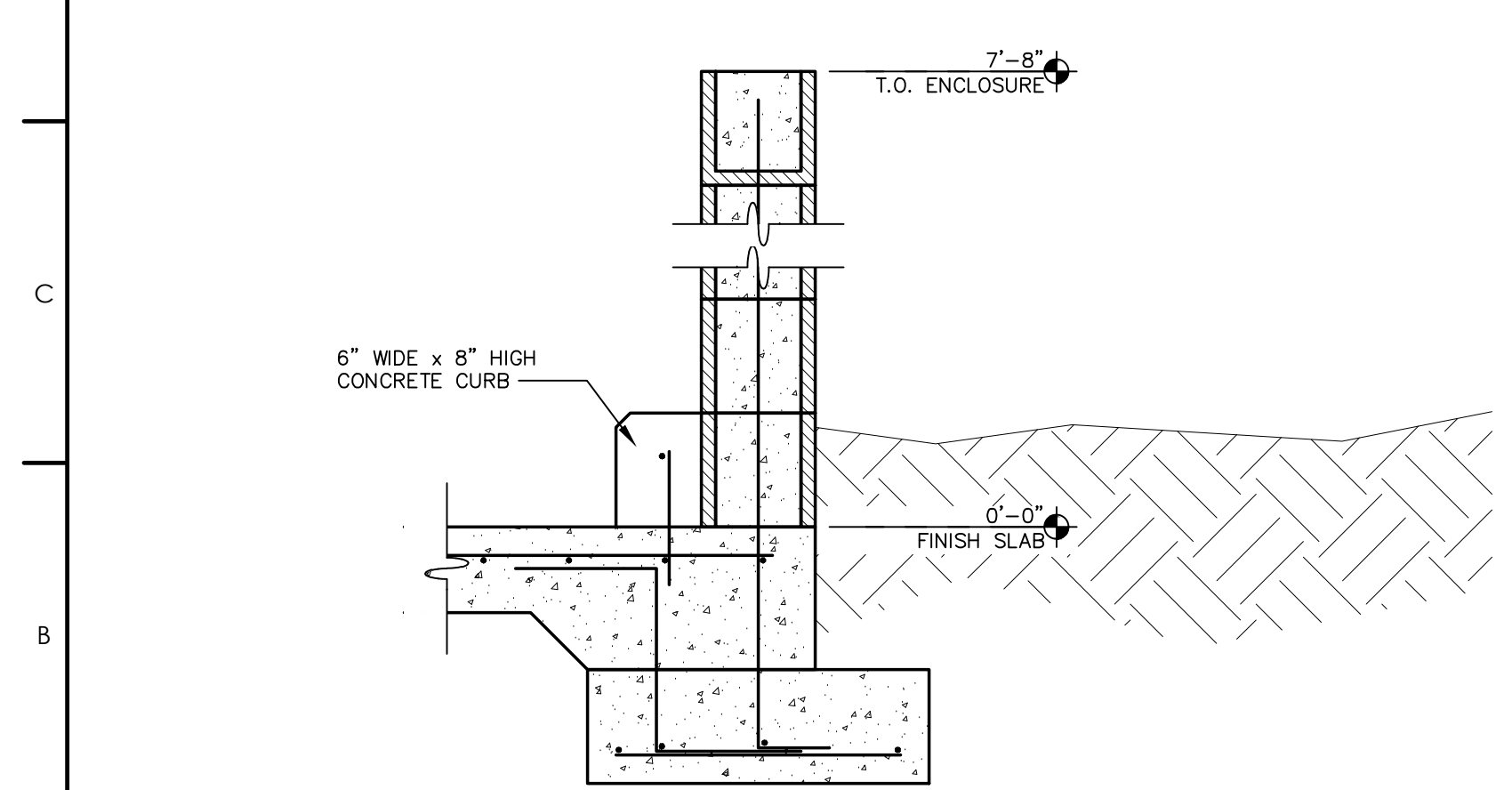
F1 TRASH ENCLOSURE HINGE DETAIL
 3/8"=1'-0"



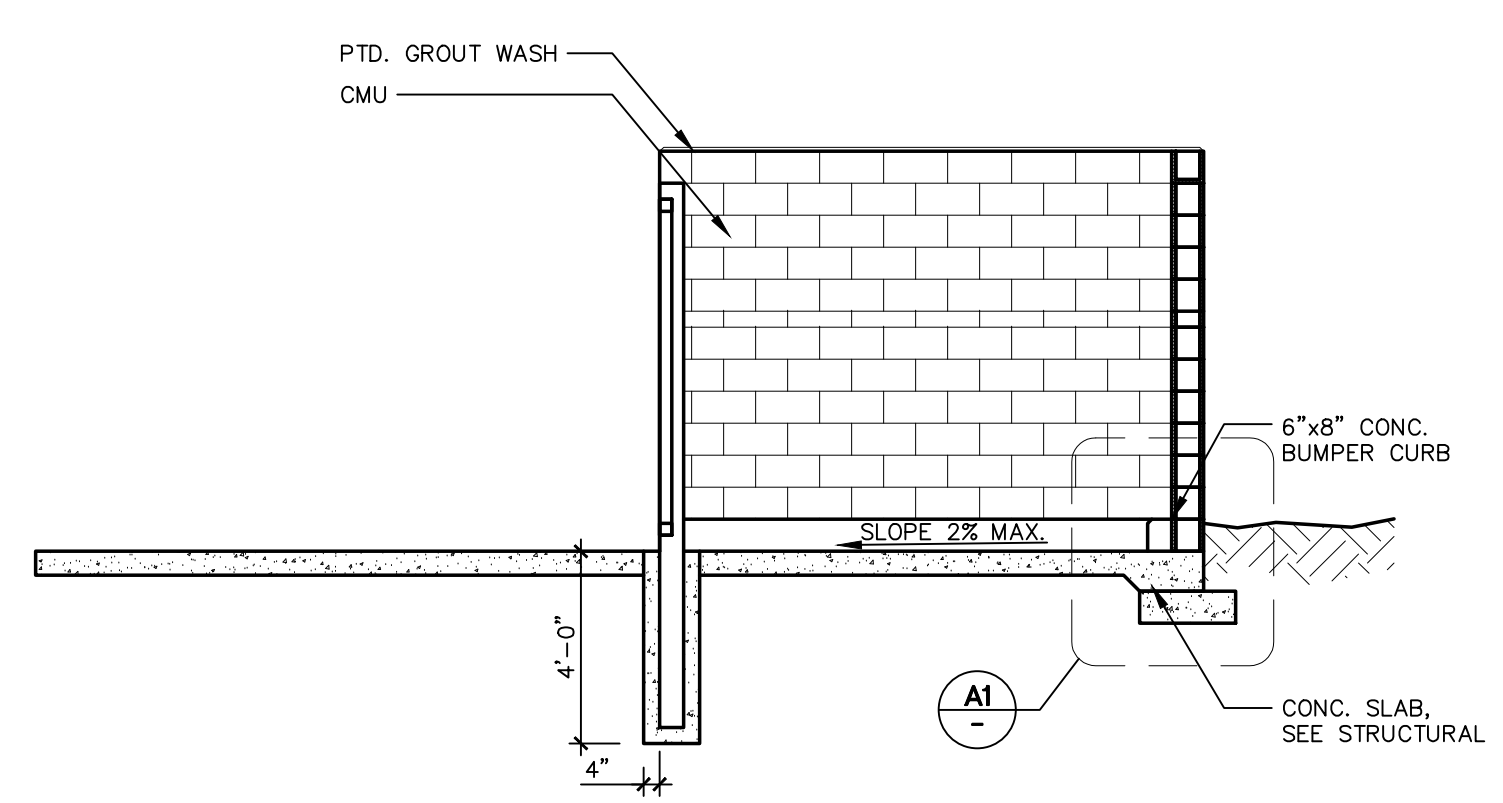
F6 TRASH ENCLOSURE SIDE ELEVATION
 1/4"=1'-0"



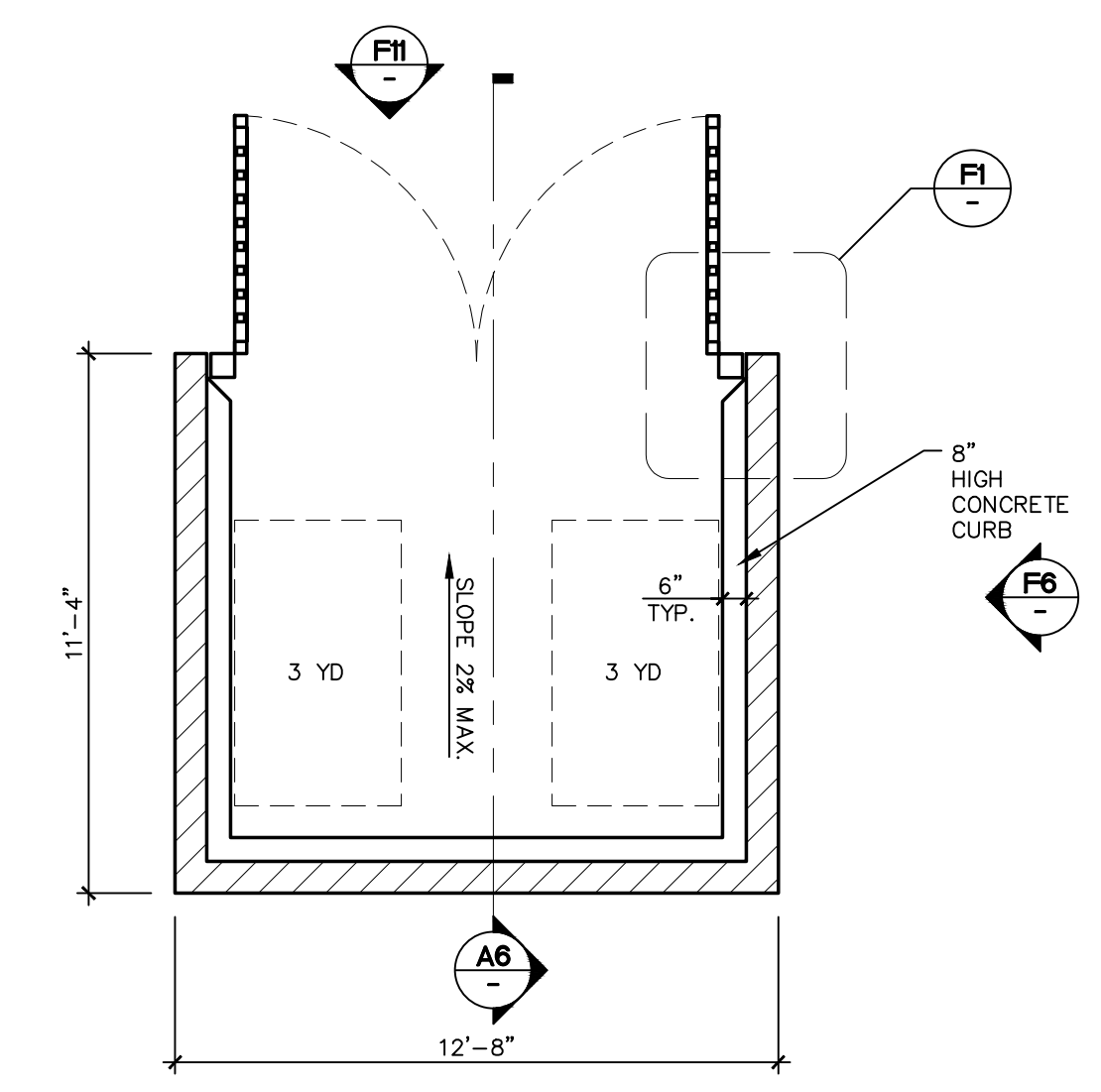
F11 TRASH ENCLOSURE FRONT ELEVATION
 1/4"=1'-0"



A1 TRASH ENCLOSURE WALL/FOOTING SECTION
 1"=1'-0"

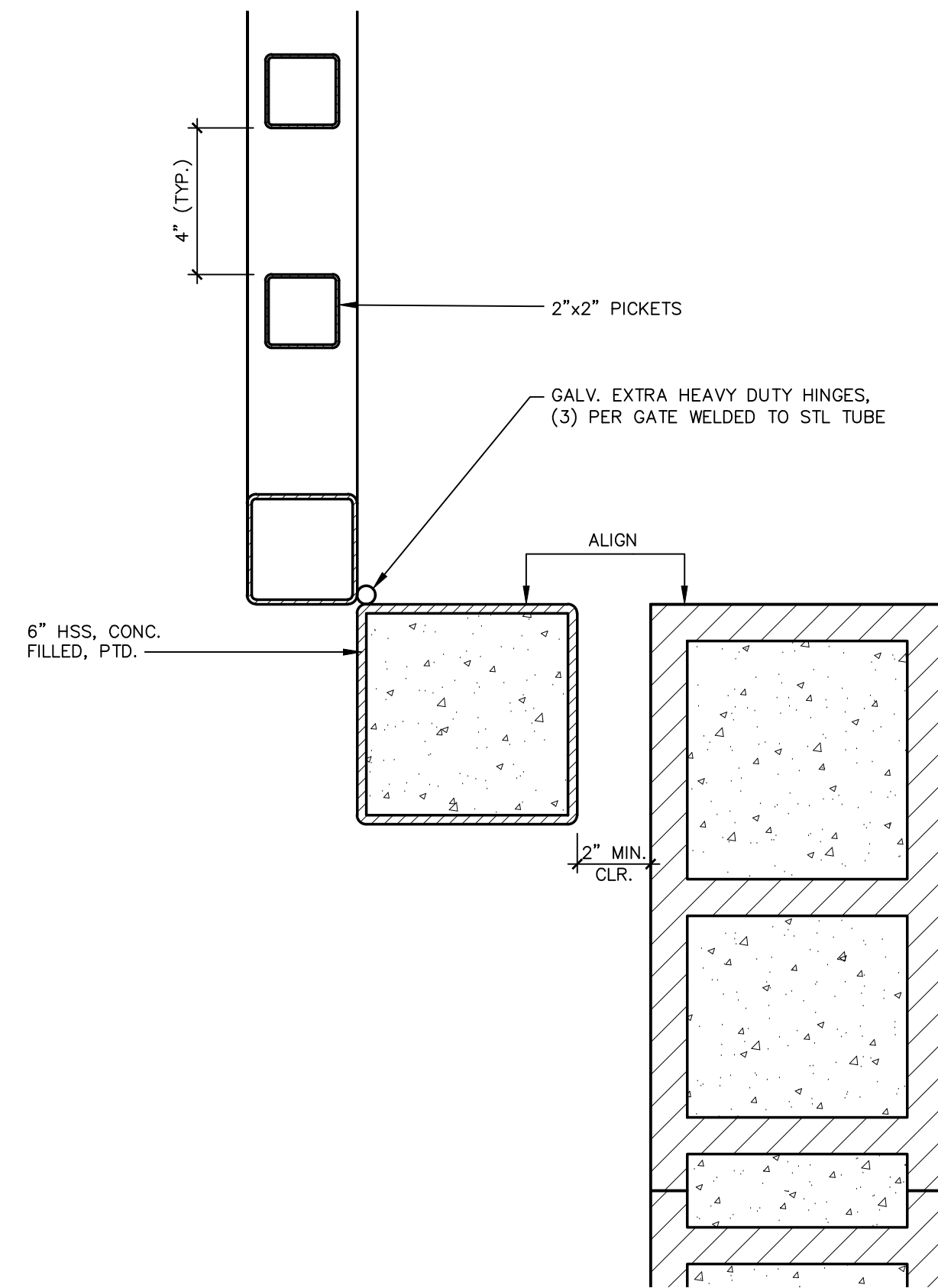


A6 TRASH ENCLOSURE SECTION
 1/4"=1'-0"

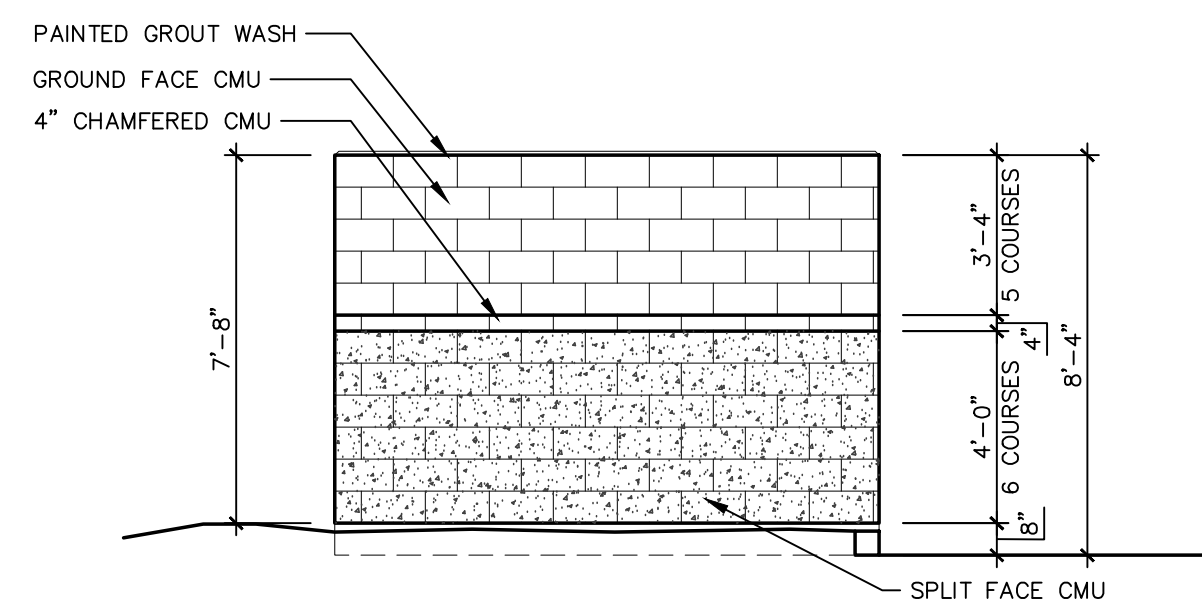


A11 TRASH ENCLOSURE PLAN
 1/4"=1'-0"

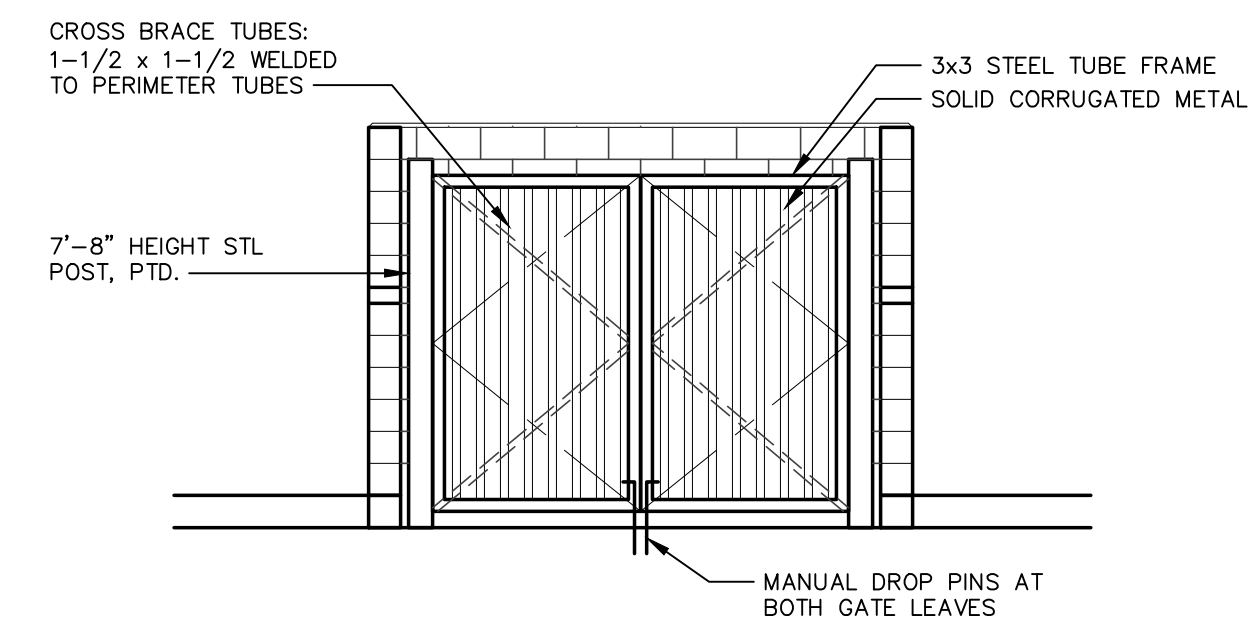
V:\222310634\architecture\drawing\04_222310634_A002.dwg modified by sverellus on 6/18/2019 2:09 PM



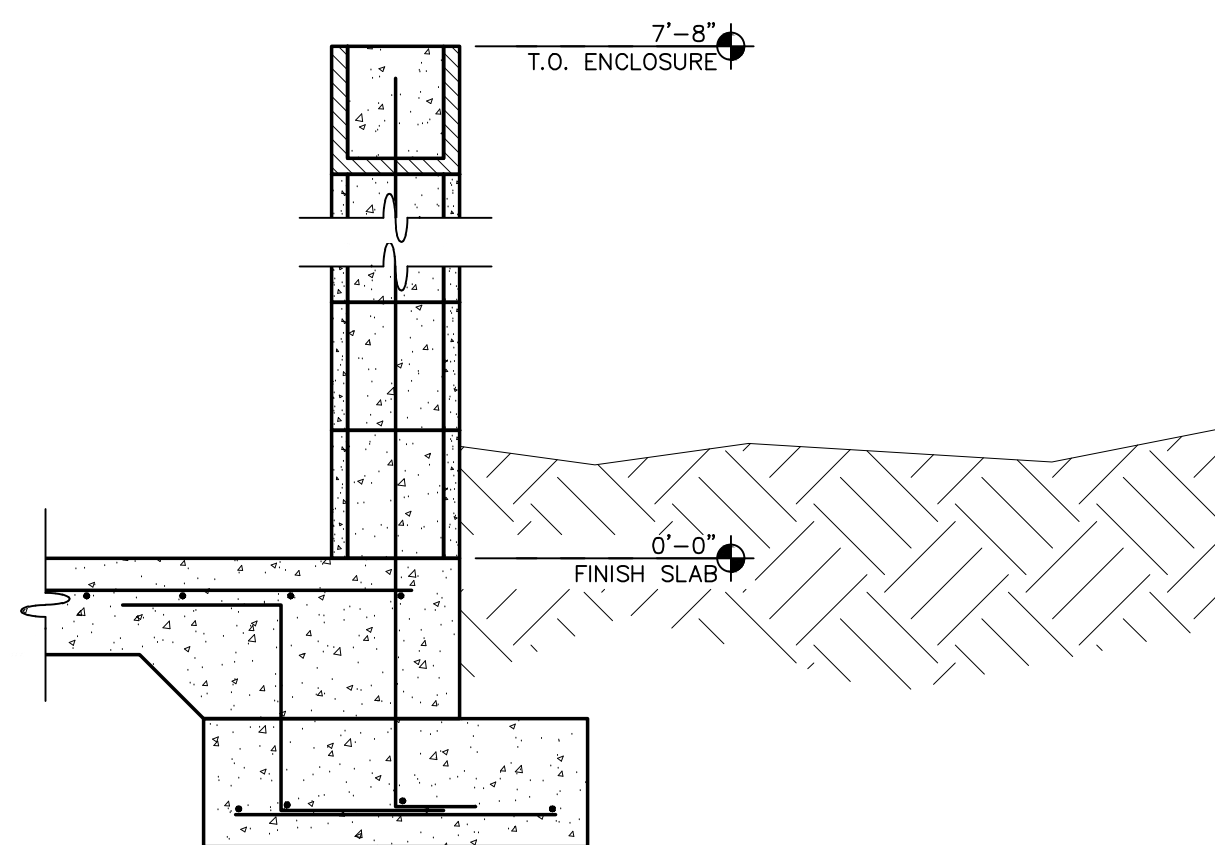
F1 VACUUM ENCLOSURE HINGE DETAIL
3"=1'-0"



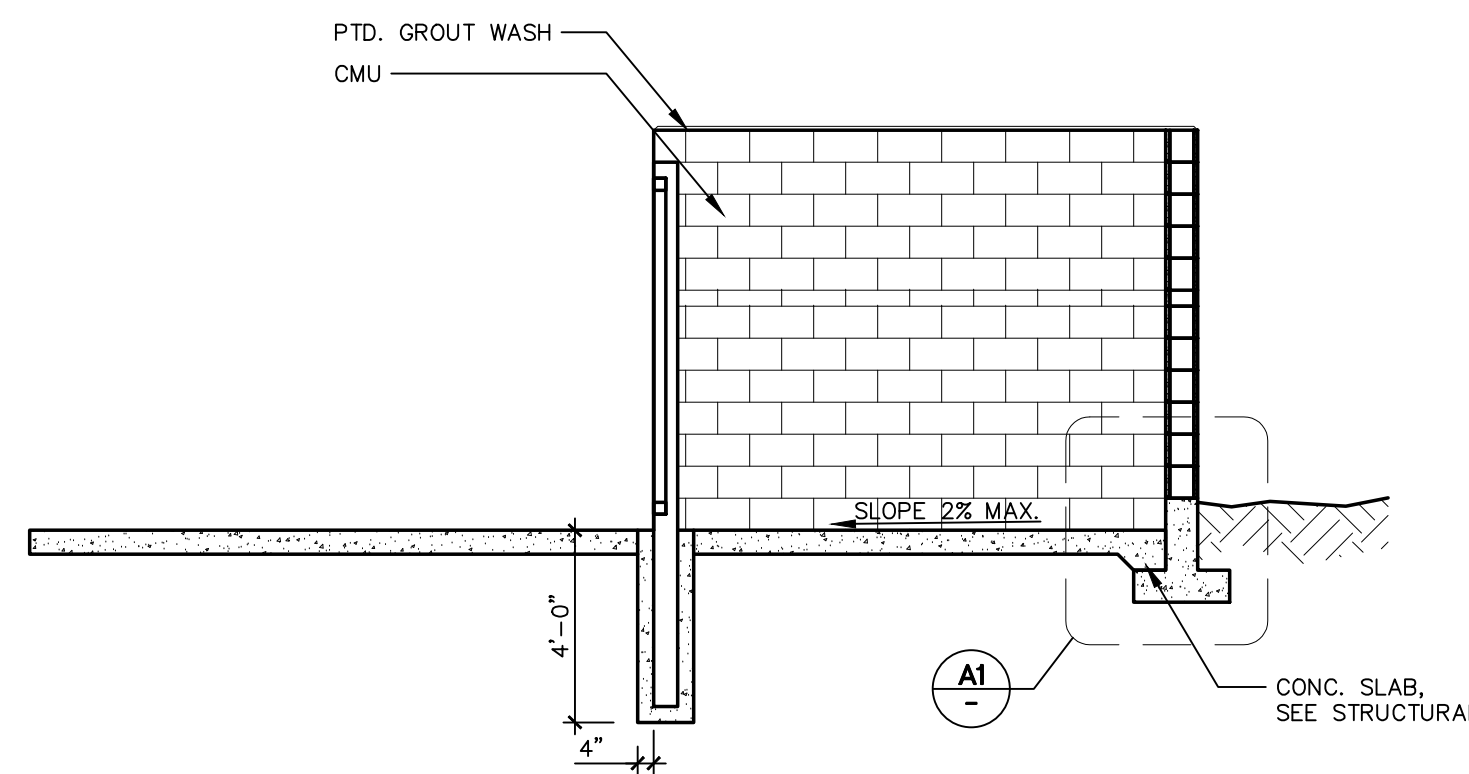
F6 VACUUM ENCLOSURE SIDE ELEVATION
1/4"=1'-0"



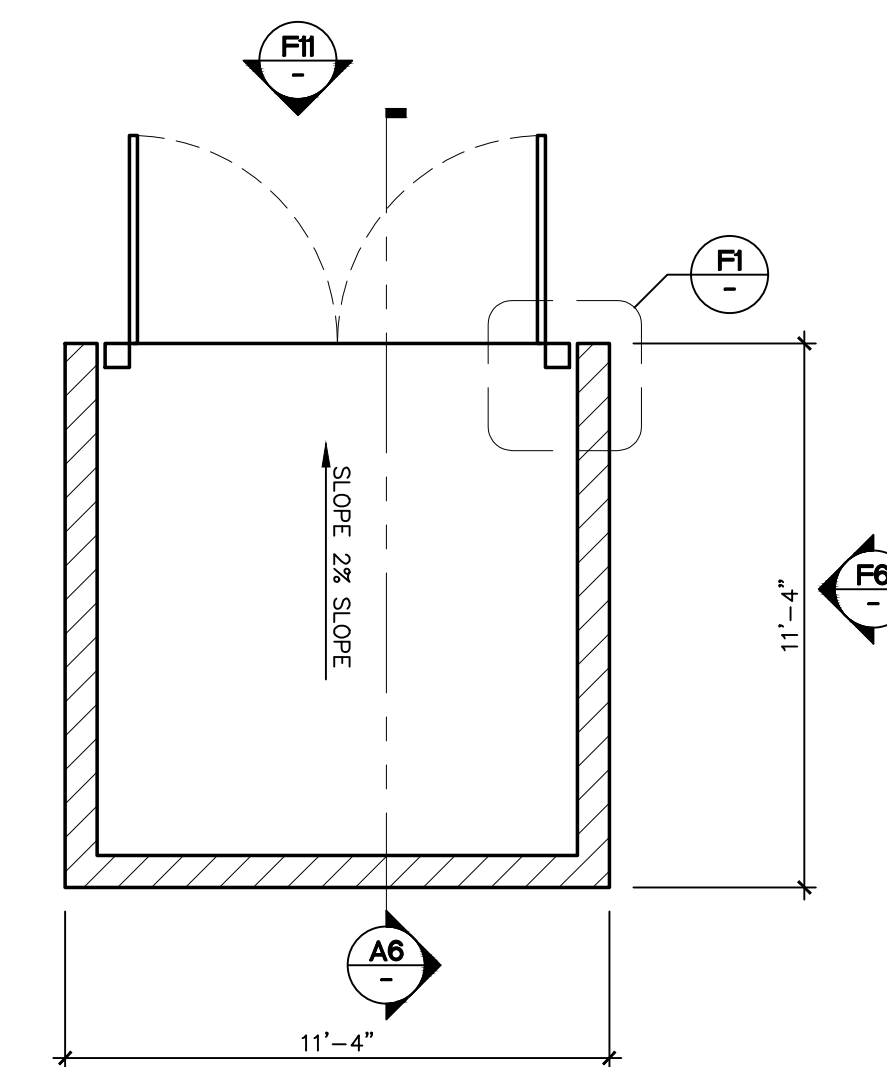
F11 VACUUM ENCLOSURE FRONT ELEVATION
1/4"=1'-0"



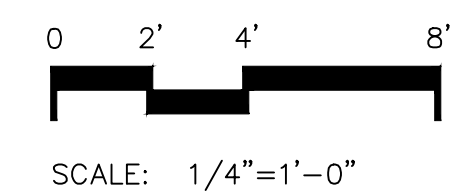
A1 VACUUM ENCLOSURE WALL/FOOTING SECTION
1"=1'-0"



A6 VACUUM ENCLOSURE SECTION
1/4"=1'-0"



A11 VACUUM ENCLOSURE PLAN
1/4"=1'-0"



CLIENT REVISED

CLIENT REVISIONS 06.18.2019

AGENCY ISSUE / REVISED

PLAN CHECK REVISION 06.18.2019

ISSUED FOR PERMIT 12.19.2018

ISSUED / REVISED

Project Number 222310634

Drawn By RAM

Checked By GMS

A003

VACUUM ENCLOSURE DETAILS